

DHI-VTO420XFB-X Series

Module



Technical Specification

Model	DHI-VTO4202FB-MB1
System	
Main Processor	Embedded Processor
Button Type	Mechanical
Performance	
Casing Material	Aluminum alloy
Port	
Power Output	5 VDC (provides power for other modules)
General	
Appearance Color	Black
Power Supply	5 VDC (provided by other modules)
Installation	Flush Mount;Surface Mount
Product Dimensions	100 mm × 50.0 mm × 30.50 mm (3.94" × 1.97" × 1.20")
Protection	IK07;IP65(silicone sealant is needed for installation)
Operating Temperature	-30 °C to +60 °C (-22 °F to +140 °F)
Operating Humidity	10%–90% (RH)
Power Consumption	≤0.5 W
Gross Weight	0.18 kg (0.40 lb)

Technical Specification

Model	DHI-VTO4202FB-MB2
System	
Main Processor	Embedded Processor
Button Type	Mechanical
Performance	
Casing Material	Aluminum alloy
Port	
Power Output	5 VDC (provides power for other modules)
General	
Appearance Color	Black
Power Supply	5 VDC (provided by other modules)
Installation	Flush Mount;Surface Mount
Product Dimensions	100 mm × 50.0 mm × 30.50 mm (3.94" × 1.97" × 1.2")
Protection	IK07;IP65(silicone sealant is needed for installation)
Operating Temperature	-30 °C to +60 °C (-22 °F to +140 °F)
Operating Humidity	10%–90% (RH)
Power Consumption	≤0.5 W
Gross Weight	0.17 kg (0.37 lb)



Technical Specification

Model	DHI-VTO4202FB-MB5
System	
Main Processor	Embedded Processor
Button Type	Mechanical
Performance	
Casing Material	Aluminum alloy
Port	
Power Output	5 VDC (provides power for other modules)
General	
Appearance Color	Black
Power Supply	5 VDC (provided by other modules)
Installation	Flush Mount; Surface Mount
Product Dimensions	100 mm × 100 mm × 30.50 mm (3.94" × 3.94" × 1.2")
Protection	IK07; IP65 (silicone sealant is needed for installation)
Operating Temperature	-30 °C to +60 °C (-22 °F to +140 °F)
Operating Humidity	10%–90% (RH)
Power Consumption	≤0.5 W
Gross Weight	0.31 kg (0.68 lb)

Technical Specification

Model	DHI-VTO4202FB-MDB2
System	
Button Type	Mechanical
Number of Buttons	2
Performance	
Casing Material	Aluminum alloy
Port	
Power Output	5 VDC (Provide power for other modules)
General	
Appearance Color	Black
Power Supply	5 VDC (Provided with power by other modules)
Certifications	CE EMC; CE LVD
Product Dimensions	100.0 mm × 50.0 mm × 26 mm (3.94" × 1.97" × 1.02")
Protection	IK07; IP65 (Silicone sealant is needed for installation)
Operating Temperature	-30 °C to +60 °C (-22 °F to +140 °F)
Operating Humidity	10%–90% (RH), non-condensing
Operating Environment	Outdoor
Operating Altitude	0 m–3,000 m (0 ft–9,842.52 ft)
Power Consumption	≤0.2 W (standby), ≤0.6 W (working)
Gross Weight	0.23 kg (0.51 lb)
Storage Temperature	0 °C to +40 °C (+32 °F to +104 °F)
Storage Humidity	30%–75% (RH)



Technical Specification

Model	DHI-VTO4202FB-MDB4
System	
Button Type	Mechanical
Number of Buttons	4
Performance	
Casing Material	Aluminum alloy
Port	
Power Output	5 VDC (Provide power for other modules)
General	
Appearance Color	Black
Power Supply	5 VDC (Provided with power by other modules)
Certifications	CE EMC; CE LVD
Product Dimensions	100.0 mm × 50.0 mm × 26 mm (3.94" × 1.97" × 1.02")
Protection	IK07; IP65 (Silicone sealant is needed for installation)
Operating Temperature	-30 °C to +60 °C (-22 °F to +140 °F)
Operating Humidity	10%–90% (RH), non-condensing
Operating Environment	Outdoor
Operating Altitude	0 m–3,000 m (0 ft–9,842.52 ft)
Power Consumption	≤0.2 W (standby), ≤0.6 W (working)
Gross Weight	0.24 kg (0.53 lb)
Storage Temperature	0 °C to +40 °C (+32 °F to +104 °F)
Storage Humidity	30%–75% (RH)

Technical Specification

Model	DHI-VTO4202FB-MDB10
System	
Button Type	Mechanical
Number of Buttons	10
Performance	
Casing Material	Aluminum alloy
Port	
Power Output	5 VDC (Provide power for other modules)
General	
Appearance Color	Black
Power Supply	5 VDC (Provided with power by other modules)
Certifications	CE EMC; CE LVD
Product Dimensions	100.0 mm × 100.0 mm × 26 mm (3.94" × 3.94" × 1.02")
Protection	IK07; IP65 (Silicone sealant is needed for installation)
Operating Temperature	-30 °C to +60 °C (-22 °F to +140 °F)
Operating Humidity	10%–90% (RH), non-condensing
Operating Environment	Outdoor
Operating Altitude	0 m–3,000 m (0 ft–9,842.52 ft)
Power Consumption	≤0.2 W (standby), ≤0.6 W (working)
Gross Weight	0.33 kg (0.73 lb)
Storage Temperature	0 °C to +40 °C (+32 °F to +104 °F)
Storage Humidity	30%–75% (RH)



Technical Specification

Model	DHI-VTO4202FB-MF
System	
Main Processor	Embedded Processor
Performance	
Casing Material	Aluminum alloy
Port	
Power Output	5 VDC (provides power for other modules)
General	
Appearance Color	Black
Power Supply	5 VDC (provided by other modules)
Installation	Flush Mount;Surface Mount
Product Dimensions	100 mm × 100 mm × 38.50 mm (3.94" × 3.94" × 1.52")
Protection	IK07;IP65(silicone sealant is needed for installation)
Operating Temperature	-30 °C to +60 °C (-22 °F to +140 °F)
Operating Humidity	10%–90% (RH)
Power Consumption	≤0.5 W
Gross Weight	0.33 kg (0.73 lb)

Technical Specification

Model	DHI-VTO4202FB-MI
System	
Casing Material	Aluminum
General	
Appearance Color	Black
Power Supply	5 VDC (Provided with power by other modules)
Certifications	CE
Product Dimensions	100.0 mm × 100.0 mm × 28.5 mm (3.94" × 3.94" × 1.12")
Protection	IK07; IP65 (silicone sealant is needed for installation)
Operating Temperature	-30°C to +60°C (-22°F to +140°F)
Operating Humidity	10%–90% (RH), non-condensing
Operating Environment	Outdoor
Operating Altitude	0 m–3000 m (0 ft–9842.52 ft)
Power Consumption	≤0.5 W
Gross Weight	0.28 kg (0.62 lb)
Storage Temperature	0 °C to +40 °C (+32 °F to +104 °F)
Storage Humidity	30%–75% (RH), non-condensing



Technical Specification

Model	DHI-VTO4202FB-MK
System	
Main Processor	Embedded Processor
Button Type	Mechanical
Performance	
Casing Material	Aluminum alloy
Port	
Power Output	5 VDC (provides power for other modules)
General	
Appearance Color	Black
Power Supply	5 VDC (provided by other modules)
Installation	Flush Mount;Surface Mount
Product Dimensions	100 mm × 100 mm × 31 mm (3.94" × 3.94" × 1.22")
Protection	IK07;IP65(silicone sealant is needed for installation)
Operating Temperature	-30 °C to +60 °C (-22 °F to +140 °F)
Operating Humidity	10%–90% (RH)
Power Consumption	≤0.5 W
Gross Weight	0.32 kg (0.71 lb)

Technical Specification

Model	DHI-VTO4202FB-ML
System	
Main Processor	Embedded Processor
Performance	
Casing Material	Aluminum alloy
Port	
Power Output	5 VDC (provides power for other modules)
General	
Appearance Color	Black
Power Supply	5 VDC (provided by other modules)
Installation	Flush Mount;Surface Mount
Product Dimensions	100 mm × 50.0 mm × 28.50 mm (3.94" × 1.97" × 1.12")
Protection	IK07;IP65(silicone sealant is needed for installation)
Operating Temperature	-30 °C to +60 °C (-22 °F to +140 °F)
Operating Humidity	10%–90% (RH)
Power Consumption	≤2 W
Gross Weight	0.19 kg (0.42 lb)



Technical Specification

Model DHI-VTO4202FB-MN

Performance

Casing Material Aluminum alloy

General

Appearance Color Black

Installation Flush Mount;Surface Mount

Product Dimensions 100 mm × 50.0 mm × 28.50 mm (3.94" × 1.97" × 1.12")

Protection IK07;IP65(silicone sealant is needed for installation)

Operating Temperature -30 °C to +60 °C (-22 °F to +140 °F)

Operating Humidity 10%–90% (RH)

Gross Weight 0.17 kg (0.37 lb)

Power Consumption ≤0.5 W

Gross Weight 0.32 kg (0.71 lb)

Technical Specification

Model DHI-VTO4202FB-MR

System

Main Processor Embedded Processor

Function

Card Type IC card

RFID

Modulation Type AM

Frequency Range 13.56 MHz

Max. Transmission Power 42dBuA/m @10m

Performance

Card Reading Distance 1 cm–3 cm (0.39"–1.18")

Casing Material Aluminum alloy

Port

Power Output 5 VDC (provides power for other modules)

General

Appearance Color Black

Power Supply 5 VDC (provided by other modules)

Installation Flush Mount;Surface Mount

Product Dimensions 100 mm × 50.0 mm × 28.50 mm (3.94" × 1.97" × 1.12")

Protection IK07;IP65(silicone sealant is needed for installation)

Operating Temperature -30 °C to +60 °C (-22 °F to +140 °F)

Operating Humidity 10%–90% (RH)

Power Consumption ≤2 W

Gross Weight 0.16 kg (0.35 lb)



Technical Specification

Model DHI-VTO4202FB-MR1

System

Main Processor Embedded Processor

Function

Card Type ID card

RFID

Modulation Type AM

Frequency Range 125kHz

Max. Transmission Power 66dBuA/m @10m

Performance

Card Reading Distance 1 cm–3 cm (0.39"–1.18")

Casing Material Aluminum alloy

Port

Power Output 5 VDC (provides power for other modules)

General

Appearance Color Black

Power Supply 5 VDC (provided by other modules)

Installation Flush Mount;Surface Mount

Product Dimensions 100 mm × 50.0 mm × 28.50 mm (3.94" × 1.97" × 1.12")

Protection IK07;IP65(silicone sealant is needed for installation)

Operating Temperature –30 °C to +60 °C (–22 °F to +140 °F)

Operating Humidity 10%–90% (RH)

Power Consumption ≤2 W

Gross Weight 0.16 kg (0.35 lb)

Technical Specification

Model DHI-VTO4202FB-MS

System

Main Processor Embedded Processor

Performance

Casing Material Aluminum alloy

Port

Power Output 5 VDC (provides power for other modules)

General

Appearance Color Black

Power Supply 5 VDC (provided by other modules)

Installation Flush Mount;Surface Mount

Product Dimensions 100 mm × 100 mm × 28.50 mm (3.94" × 3.94" × 1.12")

Protection IK07;IP65(silicone sealant is needed for installation)

Operating Temperature –30 °C to +60 °C (–22 °F to +140 °F)

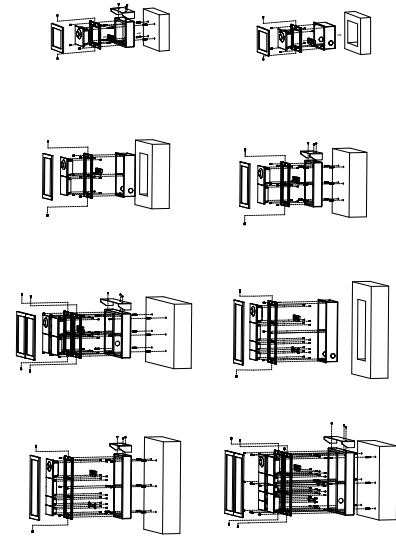
Operating Humidity 10%–90% (RH)

Power Consumption ≤2 W

Gross Weight 0.34 kg (0.75 lb)



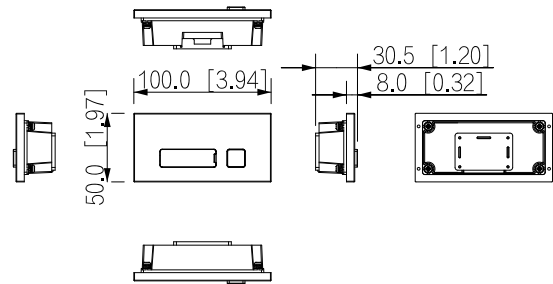
Installation



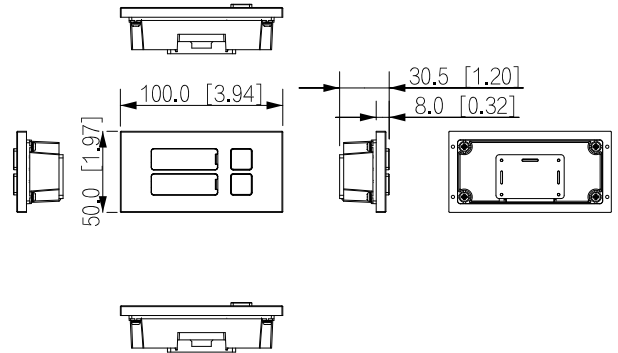
Technical Specification

Model	DHI-VTO4202FB-MV
Feature	It is used to install the Vigik module.
Performance	
Casing Material	Aluminum alloy
General	
Appearance Color	Black
Product Dimensions	100.0 mm × 50.0 mm × 6 mm (3.94" × 1.97" × 0.24")
Protection	IK07
Operating Temperature	-30 °C to +60 °C (-22 °F to +140 °F)
Operating Humidity	10%–90% (RH, non-condensing)
Operating Environment	Outdoor
Operating Altitude	0 m–3,000 m (0 ft–9,842.52 ft)
Gross Weight	0.28 kg (0.62 lb)
Storage Temperature	0 °C to +40 °C (+32 °F to +104 °F)
Storage Humidity	30%–75% (RH)

Dimensions (mm[inch])

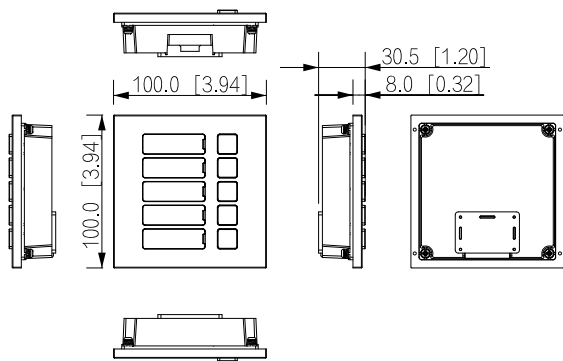


DHI-VTO4202FB-MB1

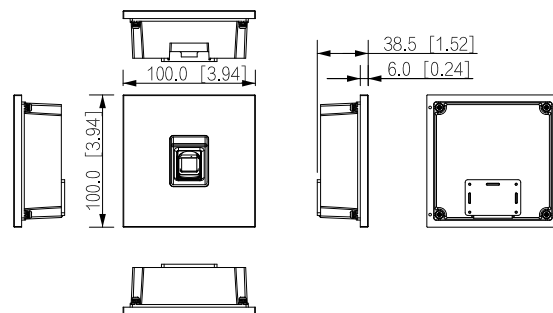


DHI-VTO4202FB-MB2

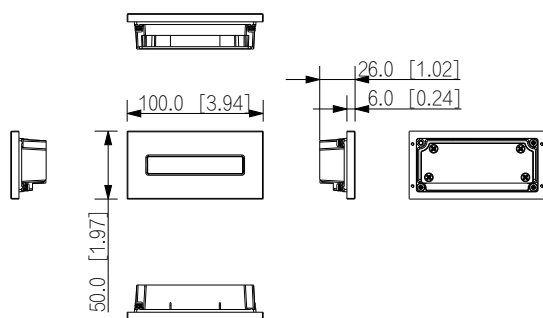
DHI-VTO420XFB-X Series



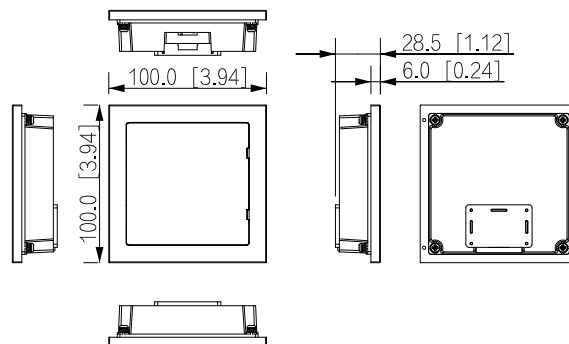
DHI-VTO4202FB-MB5



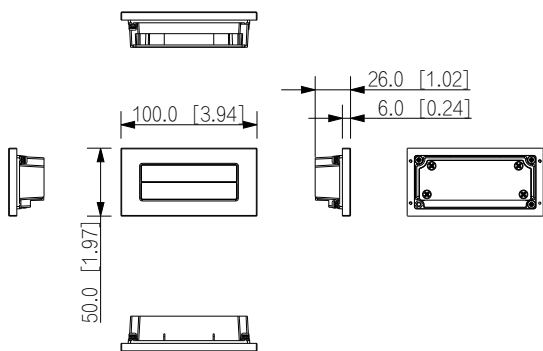
DHI-VTO4202FB-MF



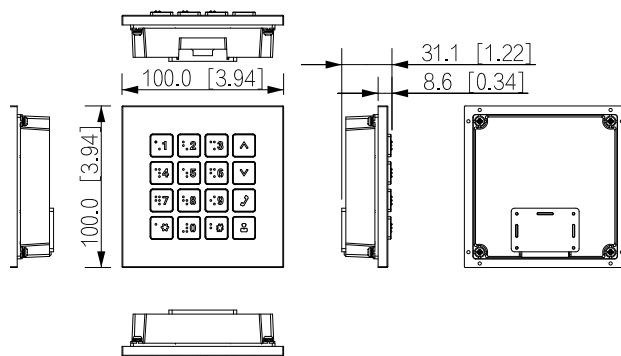
DHI-VTO4202FB-MDB2



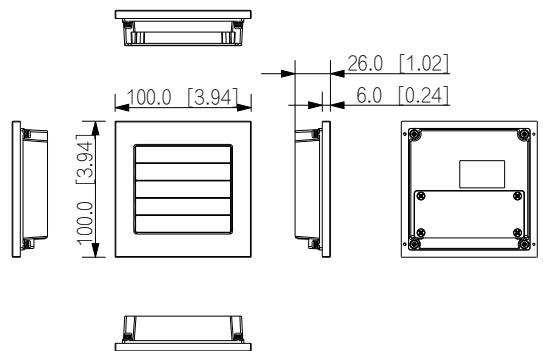
DHI-VTO4202FB-MI



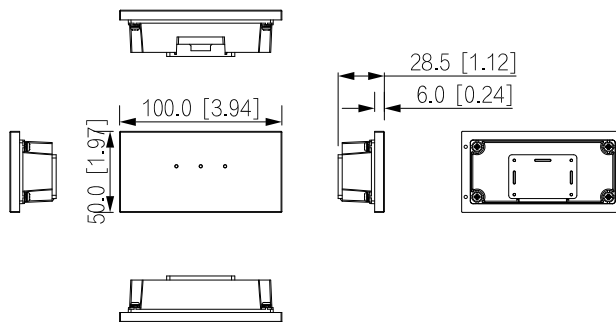
DHI-VTO4202FB-MDB4



DHI-VTO4202FB-MK

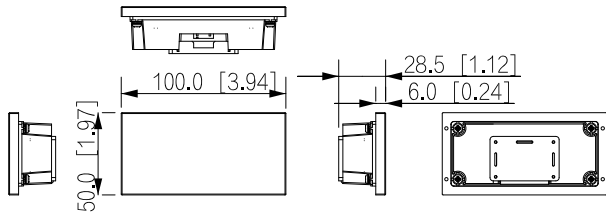


DHI-VTO4202FB-MDB10

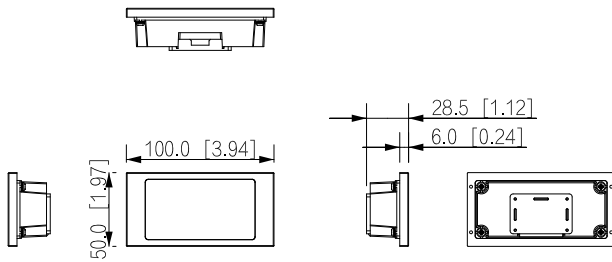


DHI-VTO4202FB-ML

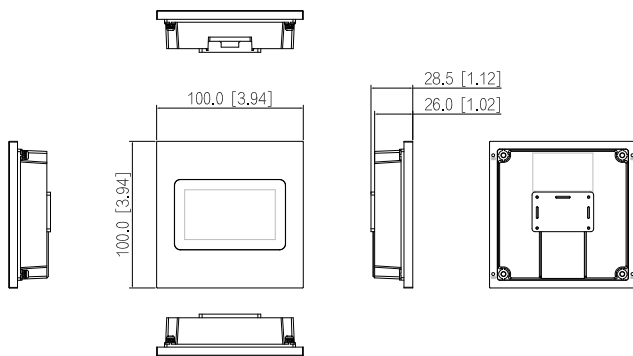
DHI-VTO420XFB-X Series



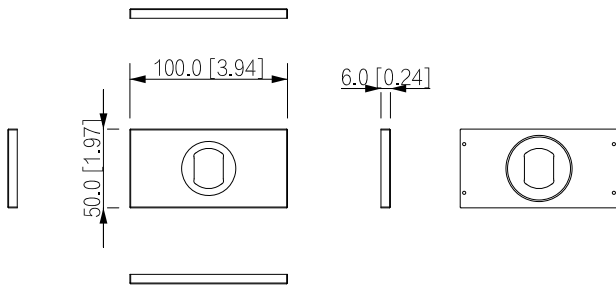
DHI-VTO4202FB-MN



DHI-VTO4202FB-MR.DHI-VTO4202FB-MR1



DHI-VTO4202FB-MS



DHI-VTO4202FB-MV