

## GV-SD2722-IR (22x) 2MP H.265 Super Low Lux WDR Pro Outdoor IR IP Speed

### Dome



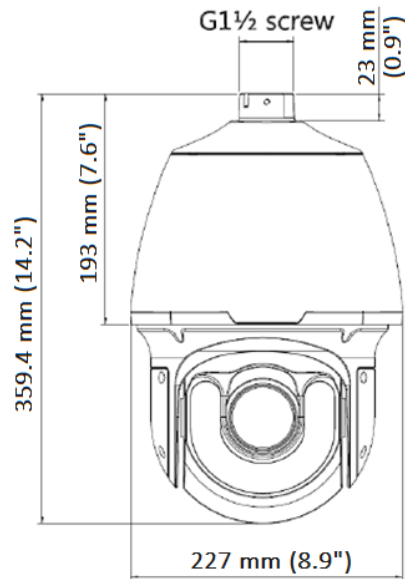
- 1/1.8" progressive scan super low lux CMOS sensor
  - Min. illumination at 0.0005 lux
  - Triple streams from H.265, H.264 or MJPEG
  - Up to 60 fps at 1920 x 1080
  - 22x optical zoom and unlimited digital zoom
  - Intelligent IR
  - IR distance up to 200 m (655 ft)
  - Day and night function (with removable IR-cut filter)
  - Two sensor inputs and one alarm output
  - Wide Dynamic Range Pro (WDR Pro)
  - Vandal resistance (IK10 for metal casing)
  - Ingress protection (IP66)
  - Wide temperature tolerance (-40°C ~ 70°C / -40°F ~ 158°F)
  - Support for TV-out
  - Two-way audio
  - Built-in micro SD card slot (SDHC/SDXC, Class 10) for local storage
  - DC 24V / AC 24V
  - Pan 360° endlessly
  - Tilt from -15° to 90°
  - Pan and tilt speed of up to 300°/sec and 240°/sec, respectively
  - PTZ movement (Preset, Auto Pan and Patrol)
  - PTZ patrol by schedule
  - Smart settings (Cross line, Intrusion, Auto tracking)
  - Intelligent Mark
  - Auto focus
  - 3D noise reduction
  - Motion detection
  - Privacy mask
  - ONVIF (Profile G, S, T) conformant
- \* No memory card slot & local storage function for Argentina

### Introduction

The GV-SD2722-IR is an outdoor network PTZ camera that offers 22x optical zoom and unlimited digital zoom, capable of showing smooth live view with great details. This camera can simultaneously deliver three video streams in resolutions up to 1920 x 1080 at 60 fps. In low-light environments, night vision is enhanced with its high-power LEDs, which allow up to 200 m (655 ft) effective IR distance. The camera can process scenes with contrasting intensity of lights and produce clear image using the built-in WDR Pro. The GV-SD2722-IR supports H.265 video codec to achieve better compression ratio while maintaining high quality pictures at reduced network bandwidths.

Wide surveillance coverage is made possible with 360° endless panning and -15° ~ 90° tilting capacity. PTZ functions such as Preset, Auto Pan, and Patrol can be programmed and activated by schedule. The GV-SD2722-IR supports pan/tilt speeds ranging from a fast patrol of 240° per second to a slow ramble of 0.1° per second with 0.1° pan accuracy for fast and accurate tracking ability.

## Dimensions



## Specifications

Camera		
Image Sensor	1/1.8" progressive scan super low lux CMOS	
Optical Zoom	22x	
Digital Zoom	Unlimited	
Picture Elements	1920 (H) x 1080 (V)	
Minimum Illumination	Color	0.0005 Lux (F1.5, AGC ON)
	IR ON	0 Lux
Shutter Speed	Auto / Manual (1/6 ~ 1/100000 sec)	
White Balance	Auto / Manual	
Iris Control	Auto / Manual	
AGC control	Auto / Manual	
S/N Ratio	52 dB	
WDR Pro	Yes	
Dynamic Range	Up to 120 dB	
Optical Lens		
Megapixel	Yes	
Day / Night	Yes (with removable IR-cut filter)	
Focal Length	6.5 ~ 143 mm	
Maximum Aperture	F/1.5	
Horizontal FOV	57.2° ~ 3.3°	
Operation	Focus	Auto / Manual
	Zoom	22x
	Iris	Auto / Manual
IR LED Quantity	10 IR LEDs	
Max. IR Distance	200 m (655 ft)	
Video		
Video Compression	H.265, H.264, MJPEG	
Video Streaming	Triple streams from H.265, H.264 or MJPEG	
Video Resolution	Main Stream	1920 x 1080 (Default), 1280 x 720
	Sub Stream	1920 x 1080, 1280 x 720, 720 x 576, 704 x 288, 640 x 360 (Default), 352 x 288
	Third Stream (Closed by Default)	720 x 576, 704 x 288, 640 x 360, 352 x 288
Frame Rate	60 fps at 1920 x 1080 (60/50 Hz) * The frame rate and performance may vary depending on the number of connections and data bitrates (different scenes).	

Video Analytics	Motion Detection, Tampering Alarm, Audio Detection, Cross Line, Intrusion, Object Moving, Object Left, Face Detection, People Counting, Auto Tracking *Tampering alarm, audio detection, cross line, intrusion, object moving, object left, face detection, people counting and auto tracking are only accessible through the camera's Web interface, which can be used to trigger alerts such as e-mail and FTP	
<b>Audio</b>		
Audio Compression	G.711	
Audio Support	Two-way Audio (external microphone and speaker required)	
<b>Network</b>		
Interface	10/100 Ethernet	
Protocol	802.1x, ARP, DHCP, DDNS, DNS, DynDNS, FTP, HTTP, HTTPS, ICMP, IGMP, IPv4, NTP, PPPoE, QoS, RTCP, RTP, RTSP, SMTP, SNMP, TCP, UDP, UPnP, ONVIF (Profile G, S, T)	
<b>Mechanical</b>		
Connectors	Power	3-pin terminal block (DC 24V / AC 24V, 2.5A)
	Ethernet	10/100 Base-T, RJ-45 connector
	Audio	1 in (Audio In Wire); 1 out (Audio Out Wire) *The Audio In port only supports microphones with power supply.
	Local Storage	Micro SD card slot (SDHC / SDXC, Class 10) * <b>UHS-I</b> and <b>UHS-II</b> card types are not supported.
	TV-Out	BNC connector
	Digital I/O	I/O wires
<b>Operation</b>		
Pan Travel	360° endless	
Tilt Travel	-15° ~ 90°	
Manual Speed	Pan	0.1° ~ 240°/s
	Tilt	0.1° ~ 160°/s
Preset Speed	Pan	300°/s
	Tilt	240°/s
Presets	Max. Number	255
	Accuracy	0.1°
Patrol	Max. Number	16
	Max. Actions Allowed	32
OSD	8	
Privacy Mask	24	
Proportional Pan & Tilt	Auto (Pan and tilt speed proportional to zoom ratio)	
Automatic Function	Preset, Patrol (Including Auto Pan)	
Mechanical Flip	Yes	
Digital Slow Shutter	On / Off	
Motion Detection	On / Off	
Wide Dynamic Range	On / Off	
Day/Night: Mechanical IR Cut Filter	On / Off	
Image Rotation	Normal, Flip Vertical, Flip Horizontal, 180°, 90° Clockwise, 90° Anti-clockwise	
3D Noise Reduction	0 ~ 255	
Alarm	Digital I/O	2 Inputs, dry contact, NO / NC 1 Relay Output (1A 30V DC / 0.3A 125V AC)
	Reaction	Alarm Output, PTZ to Preset, Trigger Storage
<b>General</b>		
Operating Temperature	-40°C ~ 70°C (-40°F ~ 158°F)	
Fan-On	Constantly On	
Humidity	20% ~ 90% (non-condensing)	
Dimensions	∅ 227 x 359.4 mm (8.94" x 14.15")	
Weight	5.4 kg (11.9 lb)	
Power Source	24V AC / 24V DC	
Power Consumption	52.5 W	
Ingress Protection	IP66	
Vandal Resistance	IK10 for metal casing	
Regulatory	CE, FCC, RoHS, UL compliant	

Web Interface	
Installation Management	Web-based configuration
Maintenance	Firmware upgrade through Web Browser or Utility
Access from Web Browser	Live View, Playback, Video Recording, PTZ Control, Preset, Patrol, Image Quality, Bandwidth Control, Image Snapshot, Two-way Audio, Digital Zoom, 3D Positioning (Optical Zoom), Text Overlay, Image Masking, Intelligent Mark, Cross Line, Intrusion, Auto Tracking, PTZ Remote Control
Language	Czech, English, French, German, Hungarian, Italian, Japanese, Polish, Portuguese, Russian, Spanish, Traditional Chinese
Applications	
Software Supported	GV-VMS (V17.1.0.100), GV-DVR / NVR (V8.7.4.0), GV-Control Center (V3.5.0.0), GV-Recording Server / Video Gateway (V1.3.0.0), GV-Edge Recording Manager (V1.3.0.0), GV-Redundant / Failover Server (V1.1.0.0) *It is required to apply patch files to all the supported software except for GV-VMS (V17.1.0.100).
Smart Device Access	GV-Eye for iOS and Android
Live Viewing	Browser (IE, Edge, Chrome, Firefox, Safari), Mobile App

#### Note:

- Do not use clothes or any ordinary material to clean the camera cover since they may result in scratches.
- Mind the following when using an inserted memory card for recording:
  - Recorded data on the memory card can be damaged or lost if the data are accessed while the camera is under physical shock, power interruption, memory card detachment or when the memory card reaches the end of its lifespan. No guarantee is provided for such causes.
  - The stored data can be lost if the memory card is not accessed for a long period of time. Back up your data periodically if you seldom access the memory card.
  - Memory cards are expendable and their durability varies according to the conditions of the installed site and how they are used. Back up your data regularly and replace the memory card annually.
  - To avoid power outage, it is highly recommended to apply a battery backup (UPS).
  - For better performance, it is highly recommended that you use a micro SD card of SDHC/SDXC, Class 10.
  - Replace the memory card when its read/write speed is lower than 6 MB/s or when the memory card is frequently undetected by the camera.
- Specifications are subject to change without notice.

#### Packing List

- |                            |                          |
|----------------------------|--------------------------|
| 1. GV-SD2722-IR Speed Dome | 5. Waterproof Guidelines |
| 2. 24V AC Power Adapter    | 6. Download Guide        |
| 3. M4 Hex Key              | 7. Warranty Card         |
| 4. Waterproof Rubber Set   |                          |

#### Accessories

Model No.	Name		Details
GV-Mount104	Straight Tube Kit		Dimensions: 219 x 125 x 332 mm (8.6" x 4.9" x 13.1") Weight: 1.8 kg (3.97 lb)
GV-Mount105	Straight Tube and Junction Box Kit		Dimensions: 256 x 256 x 297 mm (10.1" x 10.1" x 11.7") Weight: 6.2 kg (13.67 lb)

Model No.	Name		Details
GV-Mount210	Pendant Tube		Dimensions: 200 x 140 x 249 mm (7.9" x 5.5" x 9.80") Weight: 1.1 kg (2.43 lb)
GV-Mount208-3	Swan Neck Mount		Dimensions: 1043 x 519 x 256 mm (41.06 x 20.43 x 10.08") Weight: 10.6 kg (23.37 lb)
GV-Mount300-1	Convex Corner Adapter Kit		Dimensions: 238.6 x 395.2 x 210 mm (9.4" x 15.5" x 8.2") Weight: 4.27 kg (9.41 lb)
GV-Mount310-1	Concave Corner Adapter Kit		Dimensions: 111.2 x 369.9 x 210 mm (4.37" x 14.5" x 8.2") Weight: 2.96 kg (6.53 lb)
GV-Mount400-1	Pole Mount Bracket Kit (Ø 4" ~ 6")		Bracket: 68.4 x 240 x 163 mm (2.69" x 9.44" x 6.41") Weight: 1.70 kg (3.75 lb) Steel Strap Diameter: Ø 4" ~ 6"
GV-Mount410-1	Pole Mount Bracket Kit (Ø 6" ~ 7.5")		Bracket: 68.4 x 240 x 163 mm (2.69" x 9.44" x 6.41") Weight: 1.70 kg (3.75 lb) Steel Strap Diameter: Ø 6" ~ 7.5"
GV-Mount501	Convex Corner Box Mount		Dimensions: 136 x 256 x 256 mm (5.4 x 10.1 x 10.1") Weight: 4.8 kg (10.6 lb)

Model No.	Name	Details
GV-Mount702	Extension Tube	<p>Four options are available.                      Dimensions: Ø 5.4 x 10 or 20 or 30 or 50 cm                      (Ø 2.1" x 3.9" or 7.9" or 11.8" or 19.7")                      Weight: 180 g or 390 g or 550 g or 800 g                      (0.4 lb or 0.86 lb or 1.21 lb or 1.76 lb)</p>

