

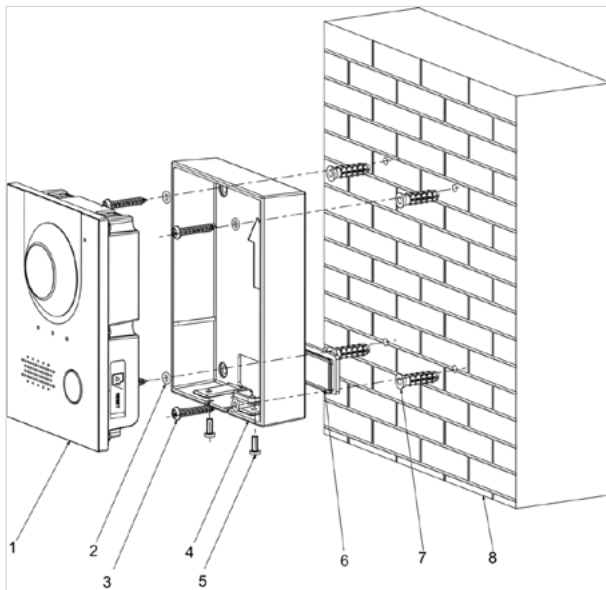
VTM115-B

VTM115-B+Surface mounted Box

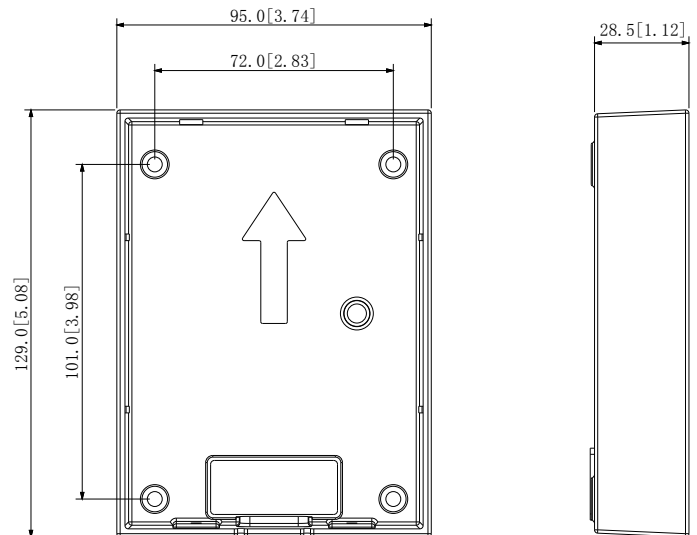


- Material:AL5052 t=2.0mm
- Dimensions: 129.0mm×95.0mm×28.5mm (5.08"×3.74"×1.12")

Installation



Dimensions (mm[inch])



Step1 With the help of installation diagram, hammer four expansion screws into the wall.

Step2 Install the waterproof silica gel pad on the mounting box from the back of the mounting box.

Step3 Put four waterproof rings on four ST4×25 self-tapping screws.

Step4 Install the mounting box on the wall by screw the four ST4×25 self-tapping screws into the expansion screws.

Step5 Put the VTO into the mounting box.

Step6 Fix the VTO to the mounting box by screwing two M3×8 screws from the bottom of the mounting box.