

Junction Box Mounting with GV-Mount506 / 506-1



Packing List

GV-Mount506

1. GV-Mount506 Junction Box	2. Plastic Anchor (7 x 42 mm) x 4
3. Short Screw (4 x 10 mm) x 4	4. Long Screw (6.5 x 38 mm) x 4
5. Waterproof Ring x 4	6. Drill Template Paster

GV-Mount506-1

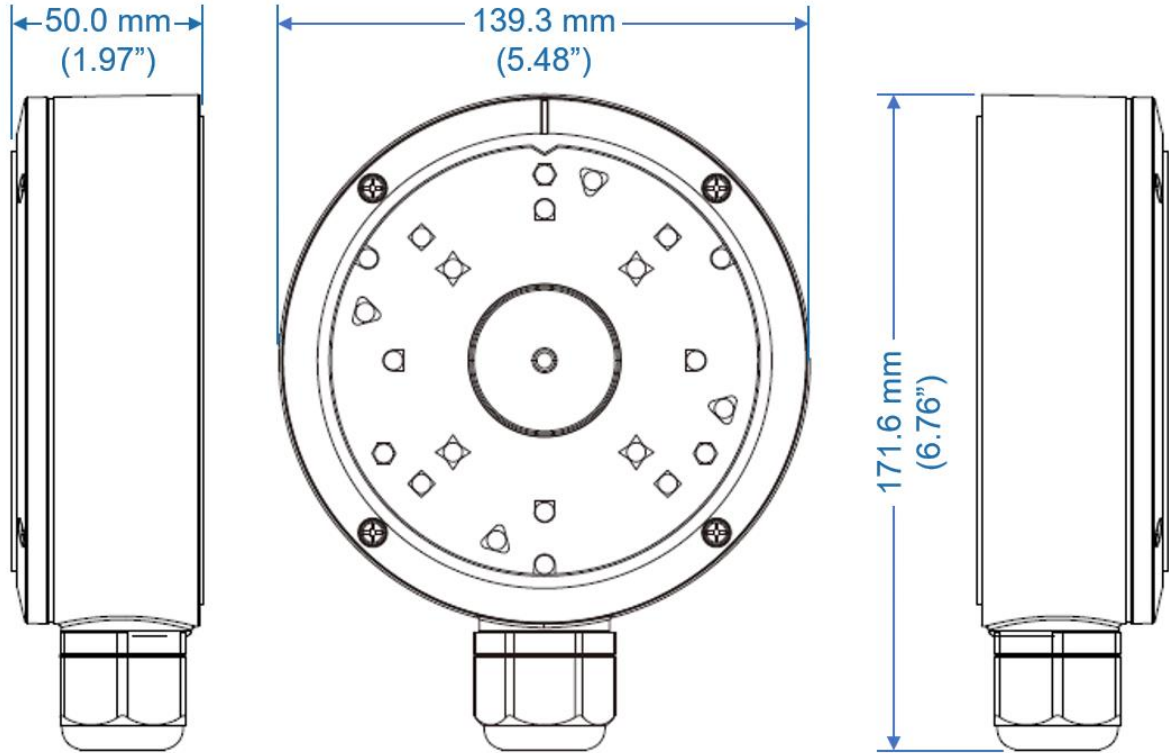
1. GV-Mount506-1 Junction Box	2. Plastic Anchor (4 x 10 mm) x 4
3. Screw (4 x 25 mm) x 4	4. Waterproof Ring x 5
5. Plastic Anchor (6 x 29 mm) x 4	6. Drill Template Paster

Applicable Models:

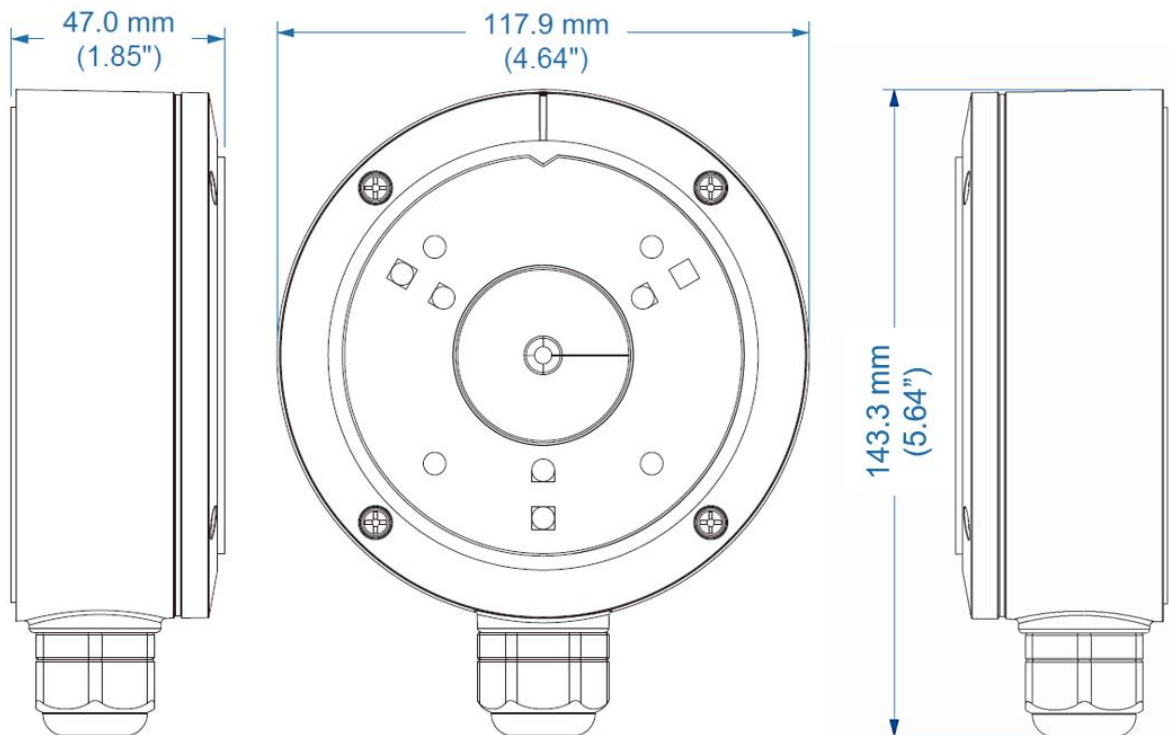
- **GV-Mount506:** GV-CEB4811 / GBL4900 / GBL4911 / GBL12811 / GBLN4800 / GDR2801 / GEBF4911 / GEBN4800 / TMEB5800
- **GV-Mount506-1:** GV-CBL2800 / CBL4811 / CEB2800 / GBLF2802 / GBLF4802 / GEB4900 / GEBF4802

Dimensions

GV-Mount506



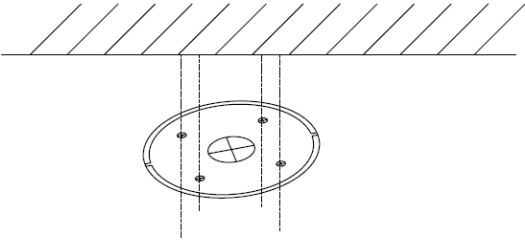
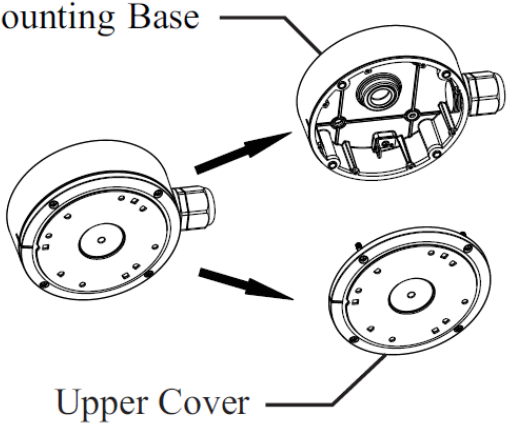
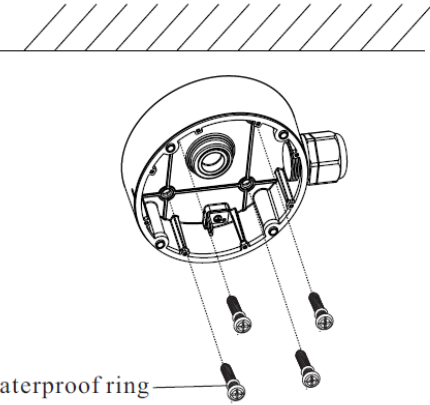

GV-Mount506-1



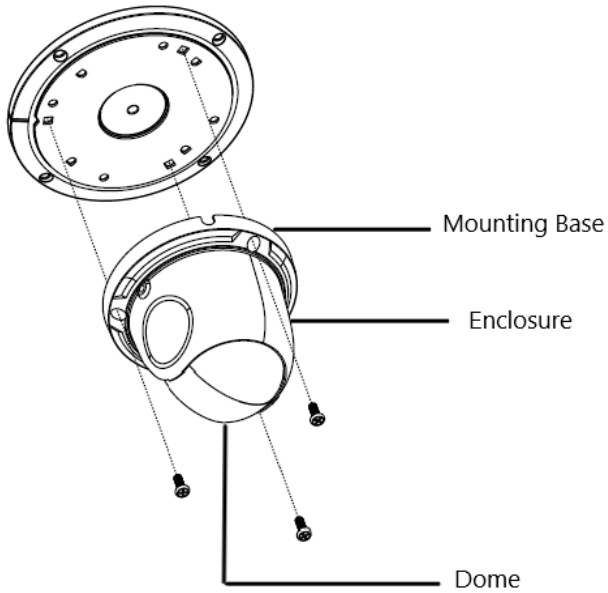
Installation

Before installation, make sure that the wall is strong enough to withstand 3 times the weight of the junction box and camera.

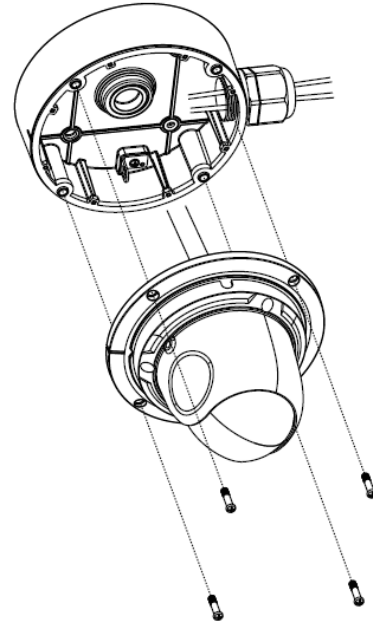
The steps below show an example installation of **GV-GEBF4911** using **GV-Mount506**.

<p>1. Drill the screw holes on the wall according to the drill template.</p> 	<p>2. Open the mounting base and the upper cover of GV-Mount506.</p>  <p>Mounting Base</p> <p>Upper Cover</p>
<p>3. Secure the mounting base of GV-Mount506 to the wall.</p>  <p>Screw waterproof ring</p>	<p>4. Loosen the set screw and detach the mounting base of the camera.</p>  <p>Set Screw</p> <p>Mounting Base</p>

5. Secure the camera's mounting base to the upper cover of GV-Mount506 first, and install the dome and enclosure to the camera's mounting base.



6. Route the cables through the cable hole (take side conduit cabling for example) and connect the cables. Then reinstall the upper cover on GV-Mount506.



7. Adjust the view angle of the camera.

