

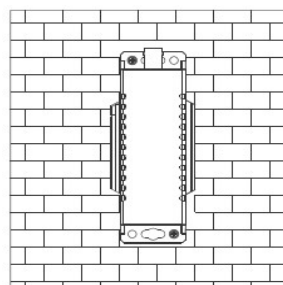
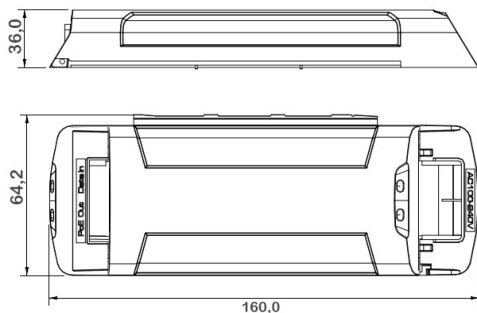


- PoE+ power supply up to 30W
- Supports 10/100/1000 Mbps
- Industrial level chips
- High conversation efficiency
- Working Temperature -10°C - 55°C
- 6KV lightning protection
- No fan, no noise, dustproof
- LEDs indicate operation status

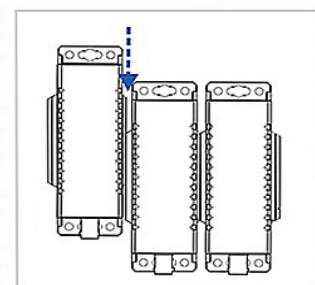


Item		Description
Interface	Input Voltage	AC100V~AC240V
	Data Input	1×RJ45
	PoE output	1×RJ45
PoE	PoE Power Supply Type	End-span
	PoE Power Output	DC 54V/30 watts
	Output Ripple	<5%
	Power Pin Assignment	Pair 1/2(+), 3/6(-)
Ethernet Port	Communication Port	1×RJ45 Input
	TransmissionRate	10/100/1000Mbps
	Transmission Medium	Cat5/5e/6 Cable
Status	Distance	100m (Max.)
	Power LED	1 (Red)
	PoE LED	1 (Orange)
Protection	Surge Protection	PoE Power : 1KV(Differential Mode), 2 KV(Common Mode)1.2/50us, 8/20us
		Ethernet : 2KV(Differential Mode),6KV (Common Mode)10/7000us
	ESD	1a Contact Discharge Level 3 1b Air Discharge Level 3 Per: IEC61000-4-2
Environment	Working Temperature	-10°C~55°C
	Storage Temperature	-40°C~85°C
	Humidity(Non-condensing)	0~90%
Mechanics	Dimension(LxWxH)	160mm×64mm×36mm
	Material	ABS Plastics
	Color	Black
	Weight	200g

**Dimensions (mm):**



Wall-Mounting



Connect several units