



GEN-PTZ4-D8-180AI Dual Kamera, PTZ Steuerung über künstliche Intelligenz

Kombination aus 180° 4K Panoramakamera und hochauflösender PTZ Kamera mit 25-fach Zoom



4K
ULTRA HD

8MP, KI - 180° Kamera
Beleuchtung bis 30m

4MP PTZ Kamera
25-fach Zoom

IR bis 100m
Weißlicht bis 50m

- ◆ Wetterfeste Kamerastation mit Dual Kamera
- ◆ Panorama Kamera 180° mit 4K Auflösung
- ◆ Panorama Kamera Dual Beleuchtung bis zu 30m
- ◆ PTZ Kamera Dual Beleuchtung bis zu 100m
- ◆ PTZ Kamera durch KI der Panoramakamera gesteuert
- ◆ Automatische Verfolgung von Zielen über KI
- ◆ Wandmontagekonsole PFB305W im Lieferumfang

Kombination mehrerer Kameras und künstlicher Intelligenz.

Diese Kamerastation besteht aus 2 Kameras welche sich durch künstliche Intelligenz ergänzen - Eine 8MP Panoramakamera mit über 180° Bildwinkel sowie Beleuchtung sowie eine leistungsstarke Schwenk-Neigekamera (PTZ) mit 25-fach optischem Zoom. Wird durch die Panoramakamera ein definiertes Objekt (Mensch oder KFZ) erfasst kann die PTZ Kamera das Objekt einzoomen und in weiterer Folge auch verfolgen. Beide Kameras verfügen sowohl über Weißlicht LED zur Abschreckung als auch IR-LED für diskrete Überwachung.

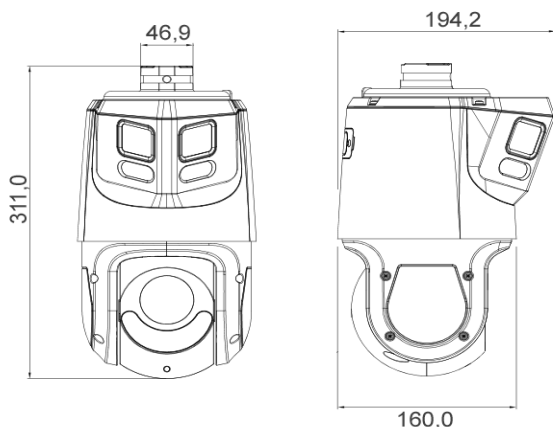
Perimeterschutz mit Deep Learning-Algorithmus

In Bereichen mit eingeschränktem Zugang (z. B. Fußgängerzone und Fahrzeugbereich) werden die Fehlalarme der intelligenten Erkennung auf der Grundlage des Zieltyps (z. B. Stolperdraht, Eindringen) weitgehend reduziert.

WDR-PRO - verbessertes Gegenlichtverhalten

Dank WDR-Technologie (WDR=Wide Dynamic Range) liefert dieses Kameramodell auch in Umgebungen mit unterschiedlichen Helligkeitsbereichen hochwertige Bilder - sowohl Bereiche mit hoher Helligkeit als auch Bereiche im Dunkeln bleiben erkennbar.

Abmessungen in mm:



Montage mit Anschluss-Box	Mastmontage/Box optional
PFB305W+PFA126	PFB305W+PFA150/opt.PFA126

PFB305W im Lieferumfang enthalten

Technical Specification

Camera

Image Sensor	Overview channel: 1/2.7" CMOS; Detail channel: 1/2.8" CMOS
Pixel	Overview channel: 8 MP; Detail channel: 4 MP
Max. Resolution	Overview channel: 4096 (H) × 1860 (V); Detail channel: 2560 (H) × 1440 (V)
ROM	Overview channel: 4 GB; Detail channel: 4 GB
RAM	Overview channel: 2 GB; Detail channel: 1 GB
Electronic Shutter Speed	1 s–1/30,000 s
Scanning System	Progressive
Min. Illumination	Overview channel: 0.005 lux@F1.4 (Color, 30 IRE); 0.0005 lux@F1.4 (B/W, 30 IRE); 0 lux (illuminator on) Detail channel: 0.005 lux@F1.6 (Color, 30 IRE); 0.0005 lux@F1.6 (B/W, 30 IRE); 0 lux (illuminator on)
Illumination Distance	Overview channel: 30 m (98.43 ft) (IR); 30 m (98.43 ft) (white light); Detail channel: 100 m (328.08 ft) (IR); 50 m (131.23 ft) (white light)
Illuminator On/Off Control	Overview channel: Manual; Auto; Off Detail channel: Zoom Prio; Manual; Auto; Off
Illuminator Number	Overview channel: 2 (IR light); 2 (White light); Detail channel: 2 (IR light); 2 (Warm light)

Lens

Focal Length	Overview channel: 2.8 mm; Detail channel: 5 mm–125 mm
Max. Aperture	Overview channel: F1.4; Detail channel: F1.6–F3.6
Field of View	Overview channel: H: 180°; V: 86°; Detail channel: H: 51.9°–3.0°; V: 39.7°–2.2°; D: 63.1°–3.7°
Optical Zoom	Overview channel: NA; Detail channel: 25×
Focus Control	Auto; manual; semi-auto
Close Focus Distance	Overview channel: 0.6 m (1.97 ft); Detail channel: 0.1 m–0.5 m (0.33"–1.64")
Iris Control	Overview channel: NA; Detail channel: Auto; manual; iris prio

DORI Distance		Detect	Observe	Recognize	Identify
		Overview channel: 2.8 mm	56.0 m (183.72 ft)	22.4 m (73.49 ft)	11.2 m (36.74 ft)
Detail channel: W	100.0 m (328.08 ft)	40.0 m (131.23 ft)	20.0 m (65.62 ft)	10.0 m (32.81 ft)	
	Detail channel: T	2500.0 m (8202.00 ft)	1000.0 m (3280.80 ft)	500.0 m (1640.40 ft)	250.0 m (820.20 ft)

*DORI (Detect, Observe, Recognize, Identify) is a standard system (EN-62676-4) for defining the ability of a person viewing the video to distinguish persons or objects within a covered area. The numbers in this table do not reflect intelligent function distances. For intelligent function distances, refer to installation and commissioning manual/project design tool.

PTZ

Pan/Tilt Range	Pan: 0° to 360° endless Tilt: –15° to +90°, auto flip 180°
----------------	---

Manual Control Speed	Pan: 0.1°/s–180°/s; Tilt: 0.1°/s–90°/s
Preset Speed	Pan: 0.1°/s–180°/s; Tilt: 0.1°/s–90°/s
Preset	300
Tour	8 (up to 32 presets per tour)
Pattern	5
Scan	5
Power-off Memory	Yes
Idle Motion	Preset; Pattern; Tour; Scan

Intelligence

IVS (Perimeter Protection)	Tripwire; intrusion; crossing fence detection; loitering detection; abandoned/missing object; fast moving; parking detection; people gathering; human alarm classification; linkage tracking
SMD	SMD 4.0

Active Deterrence

Light Warning	Red-Blue light warning; Flash duration: 5 s–30 s; Flash frequency: high, medium, low
Sound Warning	Offers 11 sound alarm and 10 custom sound alarms can be imported. Sound can be set from 0%–100%. Play times can be set from 1–10.

Video

Video Compression	Smart H.265+;H.265;Smart H.264+;H.264B;H.264M;H.264H;MJPEG(Sub Stream 1)
Streaming Capability	3 streams
Resolution	Overview channel: 8M (4096 × 1860); 2M (2048 × 928); 1080p (1920 × 1080); 720p (1280 × 720); 1024 × 448; D1 (704 × 576/704 × 480);VGA (640 × 480);CIF (352 × 288/352 × 240); Detail channel: 4M (2560 × 1440); 3M (2304 × 1296); 1080p (1920 × 1080); 1.3M (1280 × 960); 720p (1280 × 720); D1 (704 × 576/704 × 480);VGA (640 × 480); CIF (352 × 288/352 × 240)
Video Frame Rate	Overview channel: Main stream: 4096 × 1860 @(1–25/30 fps) Sub stream 1: 1024 × 448/D1/VGA/CIF @(1–25/30 fps) Sub stream 2: 2048 × 928/1080p/1.3M/720p @ (1–25/30 fps); Detail channel: Main stream: 4M/3M/1080p/1.3M/720p @(1–25/30 fps) Sub stream 1: D1/VGA/CIF @(1–25/30 fps) Sub stream 2: 1080p/1.3M/720p @ (1–25/30 fps)
Bit Rate Control	CBR/VBR
Video Bit Rate	Overview channel: H264: 128 kbps–16,384 kbps H265: 51 kbps–13,312 kbps; Detail channel: H264: 96 kbps–16,384 kbps H265: 38 kbps–10,240 kbps
Day/Night	Overview channel: Auto; Color; B/W; Electronic Detail channel: Auto; Color; B/W; Electronic
BLC	Yes

WDR	Overview channel: DWDR; Detail channel: 120 dB
HLC	Yes
White Balance	Overview channel: Auto; indoor; outdoor; tracking; manual; sodium lamp; natural light; street lamp Detail channel: Auto; indoor; outdoor; tracking; manual; sodium lamp; natural light; street lamp
Gain Control	Overview channel: Auto; manual; gain prio Detail channel: Auto; manual; gain prio
Noise Reduction	Overview channel: 2D NR; 3D NR Detail channel: Auto; 2D NR; 3D NR
Motion Detection	Yes
Region of Interest (RoI)	Yes
Image Stabilization	Overview channel: NA Detail channel: Electronic Image Stabilization (EIS)
Defog	Overview channel: Electronic Detail channel: Electronic
Digital Zoom	Overview channel: NA; Detail channel: 16x
Image Rotation	Overview channel: NA Detail channel: 180
S/N Ratio	Overview channel: ≥55 dB Detail channel: ≥55 dB

Audio

Audio Compression	PCM, G.711A, G.711Mu, G.726, MPEG2-Layer2, G.722.1, G.729
-------------------	---

Network

Network Port	RJ-45 (100/1,000 Base-T)
Network Protocol	HTTP; HTTPS; TCP/IP; IPv4; RTSP; UDP; SMTP; NTP; DHCP; DNS; DDNS; IPv6; 802.1x; SSL; QoS; FTP; UPnP; ICMP; SNMP; IGMP; ARP; RTCP; RTP; PPPoE; RTMP; Bonjour; NFS
Interoperability	ONVIF (Profile S & Profile G & Profile T); CGI; SDK; P2P
Streaming Method	Unicast/Multicast
User/Host	20 (total bandwidth: 64 M)
Storage	Micro SD card (512 GB); FTP/SFTP; NAS
Browser	web5.0: IE 9 and later versions; Chrome 41 and later versions; Firefox 52 and later versions; Safari 10 and later versions
Management Software	DMSS; DSS Pro
Mobile Client	iOS; Android
Management Software	DMSS; DSS Pro
Mobile Client	iOS; Android

Certification

Certifications	CE: EN 50130-4 EN 55032 EN 55035 EN 61000-3-3 EN IEC 61000-3-2 EN 62368-1
----------------	--

Port

Audio Input	1 channel (LINE IN, bare wire)
Audio Output	1 channel (LINE OUT, bare wire; built-in speaker (mutually exclusive))
Alarm Input	2 (on-off value input: 0–5 VDC)
Alarm Output	1 channel
Alarm Linkage	Capture; recording; send email; preset; tour; pattern; alarm digital output; audio; warning light
Alarm Event	Motion/tampering detection; network disconnection detection; IP conflict detection; memory card state detection; memory space detection
Alarm Event	Motion/tampering detection; audio detection; network disconnection detection; IP conflict detection; memory card state detection; memory space detection

Power

Power Supply	12 VDC, 3 A ± 10%; PoE (802.3at)
Power Consumption	Basic: 14 W; Max: 25 W (illuminator + heating glass + Siren and Light Active Deterrence + ICR + PTZ)
Power Adapter	Optional

Environment

Operating Temperature	−40 °C to +65 °C (−40 °F to +149 °F)
Operating Humidity	≤95%
Protection	IP66; TVS 6000 V lightning proof; surge protection; voltage transient protection

Structure

Product Dimensions	194.2 mm × 160 mm × 311 mm (7.65" × 6.30" × 12.24") (L × W × H)
Net Weight	3.1 kg (6.83 lb)
Gross Weight	4.6 kg (10.14 lb)