

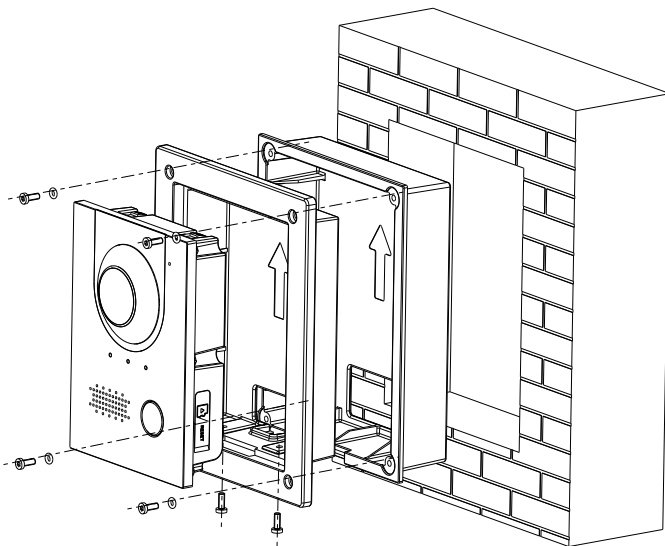
VTM114-B

VTM114-B+Flush Mounted Box



- Material: ADC12
- Dimensions(Front) : 128.9mm×162.9mm×34.5mm(5.08"×6.42"×1.36")
- Dimensions(rear) : 123.0mm×157.0mm×35.0mm (4.84"×6.18"×1.38")
- Wall Opening Dimensions: > 113.0mm×149.0mm×35.0mm (4.45"×5.87"×1.38") , < 123.0mm×157.0mm×35.0mm (4.84"×6.18"×1.38")

Installation



- Step1** Install the mounting box rear cover in the wall.
- Step2** Install VTO on the mounting box front cover.
- Step3** Fix the VTO to the mounting box front cover by screwing two M3×8 screws into the VTO from the bottom of the mounting box front cover.
- Step4** Put the mounting box front cover (with VTO) into the mounting box rear cover.
- Step5** Put waterproof rings to the M3×8 screws.
- Step6** Screw four M3×8 screws (with waterproof ring) into the mounting box front cover.

Dimensions (mm[inch])

