

GV-GBL4911 AI 4MP H.265 4.3x Zoom Super Low Lux WDR Pro IR Bullet IP Camera



- Direct-to-Cloud
- AI deep learning: AI Perimeter Protection & Classification (Human, Vehicle)
- 1/3" progressive scan CMOS
- Min. illumination at 0.005 lux
- Triple streams from H.265, H.264 and MJPEG
- Up to 30 fps at 2688 x 1520
- Intelligent IR
- IR distance up to 70 m (230 ft)
- Day and Night function (with removable IR-cut filter)
- Ingress protection (IP67)
- Vandal resistance (IK10 for metal casing)
- DC 12V / PoE (IEEE 802.3af)
- Built-in microSD card slot (SDHC / SDXC / UHS-I, Class 10) for local storage
- Two-way audio capable
- Built in microphone
- Wide Dynamic Range Pro (WDR Pro)
- Defog
- GV-Center V2 connection
- AI analytics (Line Crossing, Region Entrance, Region Exiting, Region Intrusion, Target Counting, Heat Map Loitering Detection, Illegal Parking Detection, Face Detection, Video Metadata)
- Motion detection
- Text overlay
- Privacy mask
- 19 languages supported
- ONVIF (Profile G, S, T, M) conformant

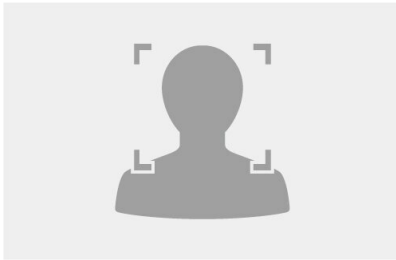
Introduction

GV-GBL4911 is an outdoor bullet IP camera equipped with automatic IR-cut filter and IR LEDs for day and night surveillance. The camera supports H.265 video codec to achieve better compression ratio while maintaining high quality pictures at reduced network bandwidth. GV-GBL4911 adheres to IP67 and IK10 standards, and can be powered through PoE.

Empowered by deep learning algorithms, AI technology distinguishes human and vehicles from other moving objects. When integrated with GeoVision Video Management Software (VMS), it supports AI perimeter protection, real time alert, event playback and more. By connecting the camera to the cloud-based data center and video surveillance solution, GV-Cloud VMS, thousands of on-site videos, alarm devices, and AI events can be monitored and managed from a single platform.

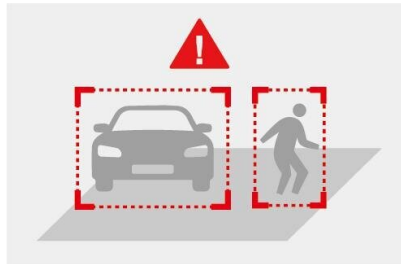
Deep Learning Function

Face Detection

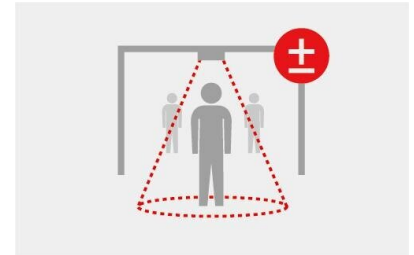


AI Perimeter Protection

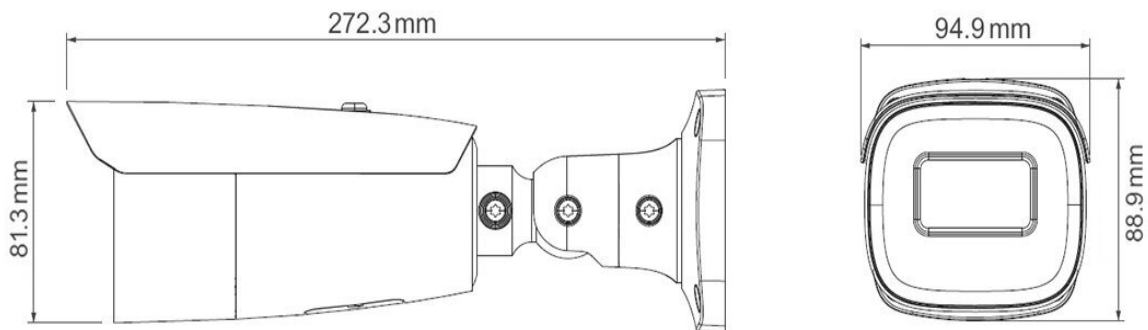
(Region Intrusion, Line Crossing, Region Entrance, Region Exiting)



People Counting



Dimensions



Specifications

Camera		
Image Sensor		1/3" progressive scan CMOS
Picture Elements		2688 (H) x 1520 (V)
Minimum Illumination	Color	0.005 Lux (F1.3, AGC ON)
	IR On	0 Lux
Shutter Speed		Automatic, Manual (1/3 ~ 1/100000 sec)
White Balance		Automatic, Manual
Gain Control		Automatic, Manual
S/N Ratio		50 dB
WDR Pro		Yes
Dynamic Range		120 dB
Lens		
Megapixel		4 MP
Day/Night		Yes (with removable IR-cut filter)
Focal Length		2.8-12 mm
Lens Type		Motorized
Maximum Aperture		F/1.3
Mount		Ø14
Horizontal FOV		100° - 28.9°
Operation	Focus	Auto / Manual
	Zoom	4.3x
	Iris	DC
IR LED Quantity		4 IR LEDs
Max. IR Distance		70 m (230 ft)

DORI		Detect	Observe	Recognize	Identify	
Lens	2.8-12 mm (W)	58.9 m (193.2 ft)	23.5 m (77.0 ft)	11.7 m (38.3 ft)	5.8 m (19.0 ft)	
	2.8-12 mm (T)	205.9 m (675.5 ft)	82.4 m (270.3 ft)	41.2 m (135.1 ft)	20.6 m (67.5 ft)	
Operation						
Video Compression		H.265, H.265+, H.264, H.264+, MJPEG				
Video Streaming		Triple streams				
Video Resolution	Main Stream	2688 x 1520 (Default), 2592 x 1520, 2560 x 1440, 2304 x 1296, 1920 x 1080				
	Sub Stream	1280 x 720 (Default), 704 x 576, 704 x 480, 640 x 480, 640 x 360, 480 x 240, 352 x 288, 352 x 240				
	Third Stream	1280 x 720 (Default), 704 x 576, 704 x 480, 480 x 240, 352 x 288, 352 x 240				
Frame Rate		30 fps at 2688 x 1520 / 2592 x 1520 / 2560 x 1440 / 2304 x 1296 / 1920 x 1080 / 1280 x 720 / 704 x 480 / 640 x 480 / 640 x 360 / 480 x 240 / 352 x 240 (60 Hz)				
		25 fps at 2688 x 1520 / 2592 x 1520 / 2560 x 1440 / 2304 x 1296 / 1920 x 1080 / 1280 x 720 / 704 x 576 / 640 x 480 / 640 x 360 / 480 x 240 / 352 x 288 (50 Hz)				
		* The frame rate and performance may vary depending on the number of connections and data bitrates (different scenes).				
Maximum Throughput	AI off	64 Mbps				
	AI on	18 Mbps: one AI function enabled 12 Mbps: multiple AI functions enabled				
Maximum Streams *When the total bitrate is within the maximum throughput		8 *By default, 2 connections are occupied whether connected to GV-Cloud VMS or not.				
Video Analytics		Motion Detection, Object Abandoned / Missing Detection				
Smart Alarm		Motion Detection, SD Card Error, SD Card Full, IP Address Conflict, Cable Disconnection, Scene Change Detection, Video Blur Detection, Video Cast Detection, Audio Exception				
Image Setting		Brightness, Contrast, Saturation, Sharpness, Flicker-less, 3D Noise Reduction, Image Orientation (Flip, Mirror, 0°, 90°, 180°, 270°-including Corridor format).				
Dual Redundant Images		Yes (for failsafe firmware upgrade)				
Audio Compression		G.711				
Audio Support		Two-way audio (external speaker required)				
Digital I/O	Input	1 Input, dry contact, NO / NC				
	Output	1 Relay Output (1A 30V DC / 0.3A 125V AC)				
Deep Learning Function						
AI Analytics		Face Event: Face Detection				
		Smart Event: - Line Crossing, Region Entrance, Region Exiting, Region Intrusion, Target Counting, Heat Map, Video Metadata: Human & Vehicle classification - Loitering Detection, Illegal Parking Detection *A maximum of 2 smart detection functions are suggested at a time to ensure comprehensive detection results and the optimized performance by the camera. *Once connected to GV-Cloud VMS / GV-Center V2, up to 2 smart detection functions are supported.				
Video Metadata	People	Gender, Age, Top / Bottom (Type, Color), Accessories (Hat, Bag, Face Mask, Glasses)				
	Vehicle	Type, Color, Brand, Model				
	Non-Motor Vehicle	Type				
Network						
Interface		10/100 Ethernet				
Protocol		802.1x, DDNS, DHCP, FTP, HTTP POST, HTTP, HTTPS, IPv4, IPv6, NTP, ONVIF (Profile G, S, T, M), PPPoE, QoS, RTCP, RTMP, RTP, RTSP, SMTP, SNMP, UDP, UPnP				
Mechanical						
Camera Angle Adjustment	Pan	0 ~ 360°				
	Tilt	0 ~ 90°				
	Rotate	0 ~ 360°				
Connectors	Power	DC jack (DC 12 V, 1.25 A), PoE				
	Ethernet	RJ-45				
	Audio	Built-in microphone	Yes			
		External microphone required	Yes (audio jack, 3.5 mm or 0.14 in)			
		Built-in speaker	No			
External speaker required		Yes (audio jack, 3.5 mm or 0.14 in)				
		* Choose either the built-in or external option for devices with a microphone or speaker.				

		* The Audio In port only supports microphones with a power supply.
	Video Output	CVBS output (BNC connector x 1)
	Digital I/O	4-pin terminal block pitch 3.5 mm (0.14")
	Local Storage	microSD card slot (SDHC / SDXC / UHS-I, Class 10) * UHS-II card type is not supported.

General

Operating Temperature	-30 ~ 60°C (-22 ~ 140°F)
Humidity	0 ~ 95% (no condensation)
Power Source	12 V DC / PoE (IEEE 802.3af)
Max. Power Consumption	12.5 W
Dimensions	272.3 x 94.9 x 88.9 mm (10.72 x 3.73 x 3.5 in)
Weight	1.04 kg (2.29 lb)
Ingress Protection	IP67
Vandal Resistance	IK10 for metal casing
Certification	CE, FCC, RoHS, UKCA compliant

Web Interface

Installation Management	Web-based configuration
Maintenance	Firmware upgrade through Web Browser or Utility
Access from Web Browser	Live View, Playback, Video Recording, Image Quality, Bandwidth Control, Image Snapshot, Digital Zoom, Text Overlay, Image Masking, Intelligent Mark
Language	Chinese Traditional, Czech, Dutch, English, French, German, Hebrew, Hungarian, Italian, Japanese, Korean, Norwegian, Polish, Portuguese, Romanian, Russian, Spanish, Spanish (Latin America), Turkish

Software Applications

Software Supported	GV-VMS (V17.4.7 or later, V18.3.2 or later), GV-Edge Recording Manager (V2.2.7 or later), GV-Control Center (V4.2.0 or later), GV-Recording Server (V2.1.1 or later), GV-Center V2 (V18.4.1 or later), GV-Cloud VMS (V1.1.0 or later)
Smart Device Access	GV-Eye for iOS and Android (V3.1.1 or later)
Live Viewing	Web Browser (Edge, IE mode in Edge, Chrome, Firefox, Safari), Mobile App

Note:

1. To use GV-Cloud VMS, avoid connecting to other GV-Software at the same time.
2. To use GV-Cloud VMS, a microSD card must be installed. Industrial-grade microSD cards are recommended to avoid event recordings writing failure.
3. Upon the initial connection of GV-Cloud Camera to GV-Cloud VMS, the Standard Plan will be provided for free for 180 days.
4. All specifications are subject to change without notice.

Packing List

- | | |
|----------------------|--------------------------|
| 1. GV-GBL4911 Bullet | 4. Drill Template Paster |
| 2. Screw Kit | 5. CVBS & DC IN Cables |
| 3. Hex Key | 6. Download Guide |