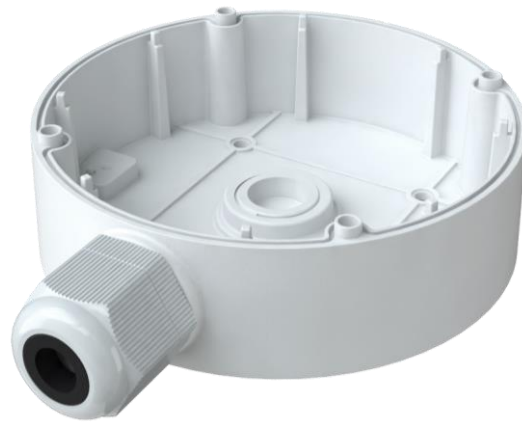


11. Junction Box Mounting with GV-Mount510



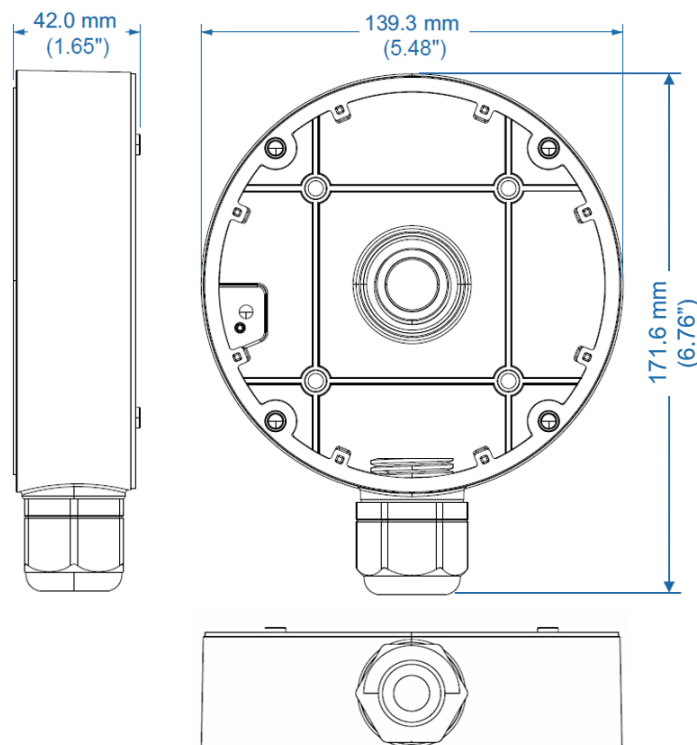
Packing List

1. GV-Mount510	2. Screw (4 x 16 mm) x 4
3. Screw (6.5 x 38 mm) x 4	4. Screw Waterproof Ring x 4
5. PG Waterproof Ring x 1	6. Plastic Case (8 x 40 mm) x 4
7. Drill Template Paster	

Applicable Models

- GV-GVD4910

Dimensions



Installation

The steps below show an example installation of GV-GVD4910 using GV-Mount510.

1. Secure the junction box to the wall or ceiling with screws.
2. Rotate the trim ring anticlockwise to remove it from the camera and then loosen the screws to open the lower dome.
3. Route and connect these cables. Then fasten the camera to the junction box with screws.
4. Adjust the view of the angle and the image.
5. Install the lower dome and the trim ring back to the camera.

