

GV-GVD4810 AI 4MP H.265 4.3x Zoom Super Low Lux WDR Pro IR Vandal Proof IP Dome



4MP	Motorized	AI	3 Axis	IP67
Super Low Lux	IK10	WDR Pro		

- AI deep learning: AI Perimeter Protection & Classification (Human, Vehicle)
- 1/3" progressive scan CMOS sensor
- Min. illumination at 0.004 lux
- Triple streams from H.265, H.264 or MJPEG
- Up to 30 fps at 2560 x 1440
- Wide Dynamic Range Pro (WDR Pro)
- Intelligent IR
- IR distance up to 50 m (165 ft)
- Day and Night function (with removable IR-cut filter)
- Ingress protection (IP67)
- Vandal resistance (IK10 for metal casing)
- 3-axis mechanism (pan / tilt / rotate)
- Built-in microphone
- Built-in microSD card slot (SD / SDHC / SDXC) for local storage
- DC 12V / PoE (IEEE 802.3af)
- AI analytics (Line Crossing, Region Intrusion)
- 3D noise reduction
- Motion detection
- Text overlay
- Privacy mask
- 20 languages supported
- ONVIF (Profile G, S, T, M) conformant

Introduction

GV-GVD4810 is a 4 MP vandal proof IP dome camera, equipped with an automatic IR-cut filter and IR LEDs for day and night surveillance. The camera supports H.265 video codec to achieve a better compression ratio while maintaining high-quality pictures at reduced network bandwidth. GV-GVD4810 adheres to IP67 and IK10 standards and can be powered through PoE.

Empowered by deep learning algorithms, AI technology distinguishes humans and vehicles from other moving objects. Integrated with GeoVision Video Management Software (GV-VMS), it supports AI perimeter protection, real-time alert, playback, and more.

Deep Learning Function

AI Perimeter Protection (Line Crossing, Region Intrusion)



Specifications

Camera					
Image Sensor		1/3" progressive scan CMOS			
Picture Elements		2560 (H) x 1440 (V)			
Minimum Illumination	Color	0.004 Lux (F1.4, AGC ON)			
	IR On	0 Lux			
Shutter Speed		Auto / Manual (1 ~ 1/100000 sec)			
White Balance		Auto / Manual			
Gain Control		Auto / Manual			
S/N Ratio		50 dB			
WDR Pro		Yes			
Dynamic Range		120 dB			
Lens					
Megapixel		4 MP			
Day / Night		Yes (with removable IR-cut filter)			
Lens Type		Motorized			
Focal Length		2.8-12 mm			
Maximum Aperture		F/1.4			
Mount		Ø14			
Image Format		1/3"			
FOV	Horizontal	92°-31°			
	Vertical	48°-17.2°			
	Diagonal	112°-35.6°			
Operation	Focus	Auto / Manual			
	Zoom	4.3x			
	Iris	Fixed			
IR LED	Quantity	2 IR LEDs			
	Max. IR Distance	50 m (165 ft)			
DORI		Detect	Observe	Recognize	Identify
Lens	2.8-12 mm (W)	64 m (210.0 ft)	26 m (85.3 ft)	13 m (42.7 ft)	6 m (19.7 ft)
	2.8-12 mm (T)	189 m (620.1 ft)	75 m (246.1 ft)	38 m (124.7 ft)	19 m (62.3 ft)
Operation					
Video Compression		H.265, H.265+, H.264, H.264+, MJPEG			
Video Streaming		Triple streams			
Video Resolution	Main Stream	2560 x 1440 (default), 2304 x 1296, 1920 x 1080, 1280 x 720			
	Sub Stream	1280 x 720 (default), 704 x 480, 704 x 576, 640 x 480, 352 x 240, 352 x 288			
	Third Stream	704 x 480 (default), 704 x 576, 480 x 240, 352 x 240, 352 x 288			
Frame Rate		Max. 30 fps (60 Hz) at 2560 x 1440, 2304 x 1296, 1920 x 1080, 1280 x 720, 704 x 480, 640 x 480, 480 x 240, 352 x 240			
		Max. 25 fps (50 Hz) at 2560 x 1440, 2304 x 1296, 1920 x 1080, 1280 x 720, 704 x 576, 640 x 480, 480 x 240, 352 x 288			
		* The frame rate and performance may vary depending on the number of connections and data bitrates (different scenes).			
Maximum Throughput		36 Mbps			
Maximum Streams * When the total bitrate is within the maximum throughput		6			
Video Analytics		Motion Detection, Object Abandoned / Missing Detection, Video Exception			
Smart Alarm		Motion Detection, SD Card Error, SD Card Full, IP Address Conflict, Cable Disconnection, Scene Change Detection, Video Blur Detection, Abnormal Color Detection			
Image Setting		Brightness, Contrast, Hue, Saturation, Sharpness, 3D Noise Reduction, BLC, Antiflicker, White Balance, Shutter, Gain, Image Orientation (Flip, Mirror, 0°, 90°, 180°, 270° – including Corridor format)			
Audio Compression		G.711			
Audio Support		One-way audio			
Deep Learning Function					
AI Analytics		Line Crossing, Region Intrusion (Human & Vehicle classification) * The two functions can only be enabled one at a time.			

Network			
Interface	10/100 Ethernet		
Protocol	802.1x, DDNS, DHCP, FTP, HTTP POST, HTTP, HTTPS, IPv4, IPv6, NTP, ONVIF (Profile G, S, T, M), PPPoE, QoS, RTCP, RTMP, RTP, RTSP, SMTP, SNMP, UDP, UPnP		
Mechanical			
Camera Angle Adjustment	Pan	0 ~ 345°	
	Tilt	0 ~ 77°	
	Rotate	0 ~ 345°	
Connectors	Power	DC jack	
	Ethernet	RJ-45 connector	
Connectors	Audio	Built-in microphone	Yes
		External microphone required	Yes (audio jack, 3.5 mm or 0.14 in)
		Built-in speaker	No
		External speaker required	No
		* Choose either the built-in or external microphone.	
* The Audio In port only supports microphones with a power supply.			
Local Storage	microSD card slot (SD / SDHC / SDXC), up to 256 GB		
General			
Operating Temperature	-30°C ~ 60°C (-22°F ~ 140°F)		
Humidity	0 ~ 95% (no condensation)		
Power Source	DC 12V, 1.5A / PoE (IEEE 802.3af)		
Max. Power Consumption	7.5 W		
Dimensions	∅ 141 x 100.2 mm (∅ 5.6 x 3.9 in)		
Weight	0.93 kg (2.05 lb)		
Ingress Protection	IP67		
Vandal Resistance	IK10 for metal casing		
Certification	CE, FCC, LVD, RoHS compliant		
Web Interface			
Installation Management	Web-based configuration		
Maintenance	Firmware upgrade through Web Browser or Utility		
Access from Web Browser	Live View, Playback, Video Recording, Image Quality, Bandwidth Control, Image Snapshot, Digital Zoom, Text Overlay, Image Masking, Intelligent Mark		
Language	Chinese Traditional, Czech, Dutch, English, French, German, Greek, Hungarian, Italian, Japanese, Korean, Norwegian, Polish, Portuguese, Romanian, Russian, Spanish, Spanish (Latin America), Turkish, Ukrainian		
Software Applications			
Software Supported	GV-VMS (V17.4.8 / V18.3.5 / V20.0.2 or later, patch files required), GV-Control Center (V4.3.0 or later), GV-Edge Recording Manager (V2.3.1 or later), GV-Recording Server (V2.1.1 or later, patch files required), GV-IP Device Utility (V9.0.5 or later)		
Smart Device Access	GV-Eye for iOS and Android (V3.5.1 or later)		
Live Viewing	Web Browser (Chrome, Edge, Firefox, Safari), Mobile App		

Note:

- To avoid affecting IR LED performance, follow the cleaning guidelines below.
 - Do not touch or wipe the dome cover surface directly during installation or use, as acidic sweat may corrode the coating and degrade image quality.
 - Remove dust with an oil-free soft brush or a hair dryer. For smudges, gently wipe from the center outward with an oil-free cotton cloth or detergent-soaked paper. Always use a dry, soft cloth when wiping, and replace the cloth and repeat if needed.
 - Avoid using hard materials or alkaline cleaners, as they may damage the surface.
- All specifications are subject to change without notice.

Packing List

- GV-GVD4810 Vandal Proof Dome
- Waterproof Rubber Set
- Screw Kit
- Drill Template Paster
- Download Guide

Accessories

Model No.	Name		Details
GV-Mount211-6 (must be used with GV-Mount510)	Wall Mount Bracket		Dimensions: 199 x 139.3 x 140.6 mm (7.83 x 5.48 x 5.54 in) Weight: 0.56 kg (1.23 lb)
GV-Mount211-13	Wall Mount Bracket		Dimensions: 266 x 174.1 x 142.5 mm (10.47 x 6.85 x 5.61 in) Weight: 1.14 kg (2.51 lb)
GV-Mount314 (must be used with GV-Mount211-6 + GV-Mount510, or GV-Mount211-13)	Corner Mount Bracket		Dimensions: 215 x 121.4 x 215 mm (8.46 x 4.78 x 8.46 in) Weight: 2.05 kg (4.52 lb)
GV-Mount470 (must be used with GV-Mount211-6 + GV-Mount510, or GV-Mount211-13)	Pole Mount Bracket		Dimensions: 163.3 x 54.5 x 215 mm (6.43 x 2.15 x 8.46 in) Weight: 1.10 kg (2.43 lb)
GV-Mount510	Junction Box		Dimensions: 139.3 x 171.6 x 42 mm (5.48 x 6.76 x 1.65 in) Weight: 0.36 kg (0.79 lb)
GV-Mount925	In-Ceiling Mounting Bracket		Dimensions: Ø 233 x 80.5 mm (Ø 9.17 x 3.17 in) Weight: 0.704 kg (1.55 lb)
GV-Mount927 (for standard US single and double gang boxes only)	Power Box Mount Bracket		Dimensions: Ø 145 x 11.2 mm (Ø 5.71 x 0.44 in) Weight: 0.2 kg (0.44 lb)
GV-PA191	PoE Adapter		GV-PA191 is a Power over Ethernet (PoE) adapter designed to provide power to the IP device through a single Ethernet cable.
GV-PA301	Gigabit PoE Adapter		GV-PA301 is a Gigabit Power over Ethernet (PoE) adapter.

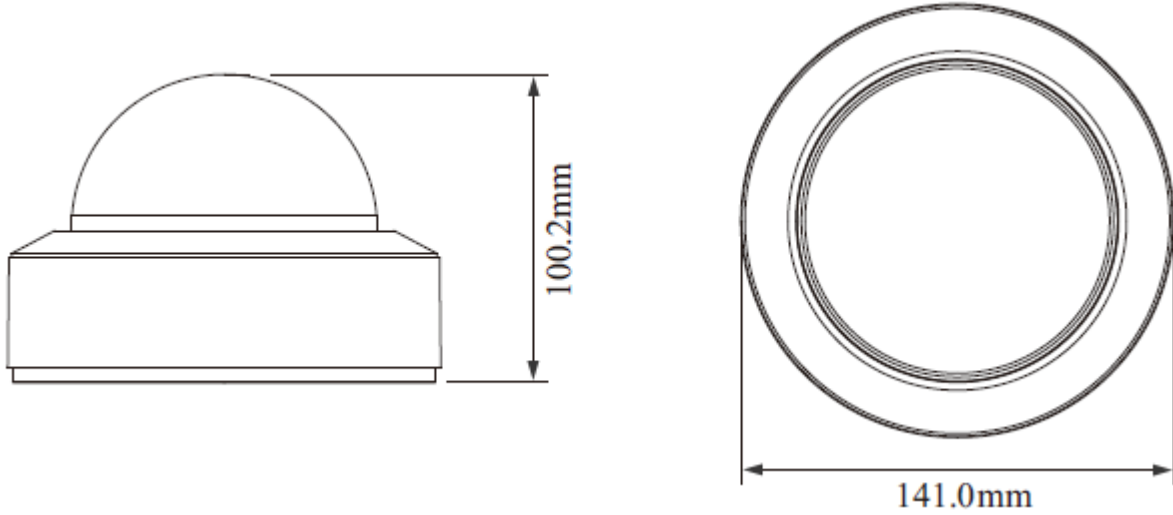
GV-POE Switch

GV-POE Switch is designed to provide power along with network connection for IP devices. The GV-POE Switch is available in various models with different numbers and types of ports.

Power Adapter

Contact our sales representatives for the countries and areas supported.

Dimensions



Mounting Type

Junction Box Mount GV-Mount510	Junction Box Mount GV-Mount510	Wall Bracket Mount GV-Mount211-6
<p>GV-Mount510</p>	<p>GV-Mount211-6</p> <p>GV-Mount510</p>	

In-Ceiling Mount GV-Mount925	Junction Box Mount GV-Mount510	Wall Bracket Mount GV-Mount211-6	Pole Bracket Mount GV-Mount470
<p>GV-Mount925</p>	<p>GV-Mount211-6</p> <p>GV-Mount510</p> <p>GV-Mount470</p>		

Wall Bracket Mount GV-Mount211-13	Wall Bracket Mount GV-Mount211-13	Pole Bracket Mount GV-Mount470

Junction Box Mount GV-Mount510	Wall Bracket Mount GV-Mount211-6	Corner Bracket Mount GV-Mount314

Wall Bracket Mount GV-Mount211-13	Corner Bracket Mount GV-Mount314